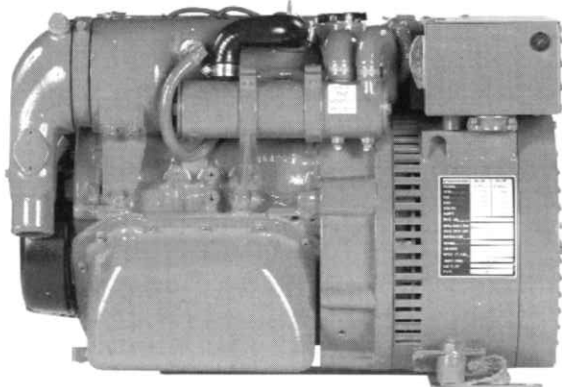


Extremely compact, 1800-rpm smooth & quiet Introducing the new Low Profile 5.0 BCG



5.0 BCG Marine Gasoline Generator

The Most Compact 5.0 kW Available

The 1800-rpm 5.0 BCG gasoline generator has the smallest envelope available.

Quiet

The 5.0 BCG operates at a quiet 1800-rpm. So quiet, it does not require a sound enclosure.

Smooth Operation

Operating with 3-cylinders and a balance shaft that virtually eliminates vibration, the 5.0 BCG is an extremely smooth running generator set.

Durable and Reliable

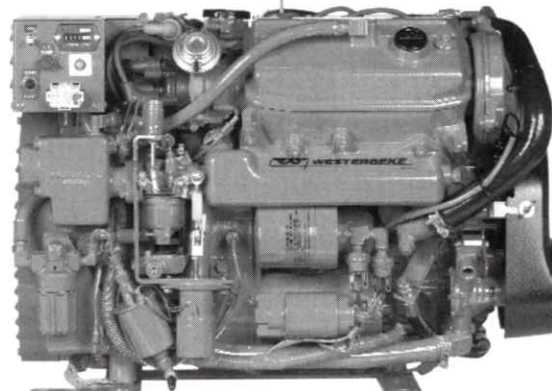
The 5.0 BCG runs at 28% of its maximum engine speed, so the owner can expect more durability and reliability.

Easy Maintenance

To minimize engine maintenance, the 5.0 BCG is fresh water cooled and equipped with a simple control system. Easy access to all servicing points (single side servicing) allows easy installation and routine maintenance.

Five Year Limited Warranty

The 5.0 BCG is backed by Westerbeke's 5-year limited warranty. The presence of Westerbeke in over 65 countries around the world provides customers with easy access to parts, service and technical support worldwide. Established in 1937, Westerbeke is committed to providing its customers with quality products and unequalled after sales support.



5.0 BCG Marine Gasoline Generator

Standard Features

- Simple start/stop control panel with running hour meter
- Electronic governing
- Overspeed protection
- Safety shut-downs — high coolant temperature, low oil pressure, high exhaust temperature
- Generator field adjustable to 50 or 60Hz
- A.C. circuit breaker
- Battery charger
- Fresh water cooling and coolant recovery tank
- 90° water injected elbow
- Belt-driven, raw water pump
- Vibration mounts
- Lube oil drain hose
- Belt guard
- Operators' manual and parts list
- "CE" mark
- CARB certified
- EPA certified
- Meets U.S.C.G. regulation 33CFR-183



Optional Spare Parts Kit

Kit contents, as shown, may not correspond to the generator pictured.

Generator Design

DESIGN: Brushless, four pole, revolving field.
VOLTAGE REGULATION: Standard +/- 5% no load to full load.
FREQUENCY REGULATION: .5 Hz (.58%) no load to full load.
INSULATION: Class "H" as defined by NEMA MG1-1.66.

TEMPERATURE RISE: Within NEMA MG1-22.40 operating at full load.
COOLING: Cast centrifugal blower, direct connected.
ELECTROMAGNETIC INTERFERENCE LEVEL: Exceeds requirements for most marine radio-telephones and standard TV's.

Model	Electrical Characteristics					Ratings		Engine	
	Volts	Amps	Hertz	Phase	Wire	Power Factor	KW	RPM	Start
5.0 BCG-614	120	41.6	60	1	4	1.0	5.0	1800	Remote
4.2 BCG-514	230	18.2	50	1	4	1.0	4.2	1500	Remote

Specifications

Number of cylinders	3 Cylinder, vertical in-line
Type	4 cycle
Displacement	40.3 cu. in. (.66 liter)
Bore and stroke	2.56" x 2.61" (65.0mm x 66.3mm)
Compression ratio	9.8:1
Rated rpm	60 Hz – 1800 rpm 50 Hz – 1500 rpm
HP @ 1800/1500 rpm	8.0/6.5 HP
Maximum angle of operation	Not to exceed 25° in all directions
Exhaust elbow conn.	2.0" OD (50.8mm)
Raw water conn.	0.75" OD (19.05mm)
Dry weight	307 lbs (139.3 kg)
Combustion system	Semi-spherical type
Aspiration	Naturally aspirated
Lubrication system	Forced pump
Cooling system	3 quarts (2.8 liter)
Full load fuel consumption	.8 GPH (3 LPH) @ 1800 rpm .68 GPH (2.6 LPH) @ 1500 rpm
Carburetor	Side draft type
Governor	Electronic
Lube oil filter	Full flow, spin on element
Lubricant capacity	2.5 quarts (2.4 liters)

Fuel transfer pump	Electric type
Fuel supply piping	.25" ID (6.35mm)
Starting motor	12 volt, 1.4 kw
Battery charging	17 amps, integral electric type
Cold cranking amps	105 amps @ 70 degrees F
Electrical system	12 volts DC, negative ground

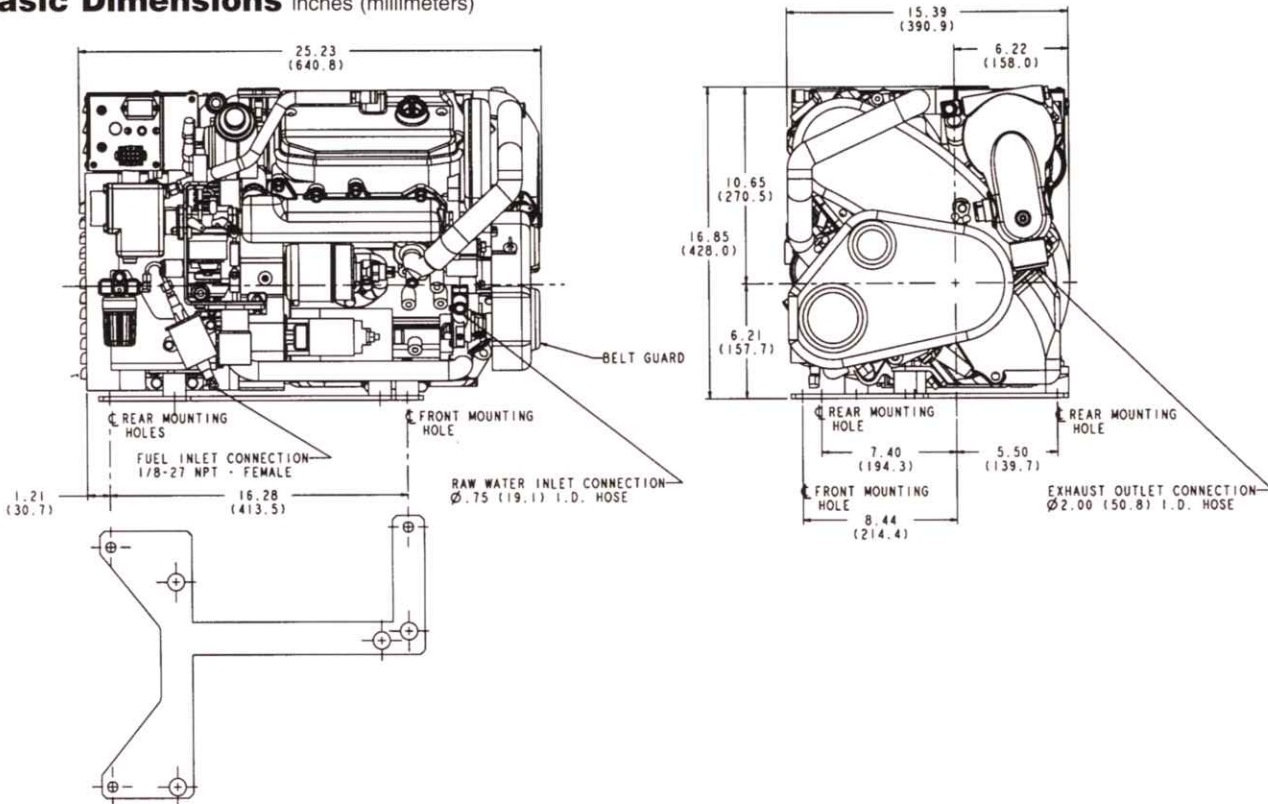
Construction – Engine Components

Cylinder head	Aluminum
Cylinder block	Cast Iron
Crankshaft	Forged crankshaft, four main bearings
Valves	Overhead, rotating type
Fuel system	Carbureted w/U.S.C.G. approved flame arrestor
Cooling system	Fresh water-cooled with heat exchanger
Exhaust manifold	Cast aluminum, fresh water-cooled

Optional Equipment

- Remote start-stop panel
- Ship-shore switch
- Hydro-hush muffler and fittings
- "A" on-board spare parts kit; "B" extended cruising spare parts kit
- Anti-siphon valve for overboard cooling water discharge
- Technical Manual

Basic Dimensions inches (millimeters)



Drawings are for reference only and should not be used for installation. Detailed installation drawings are available upon request.